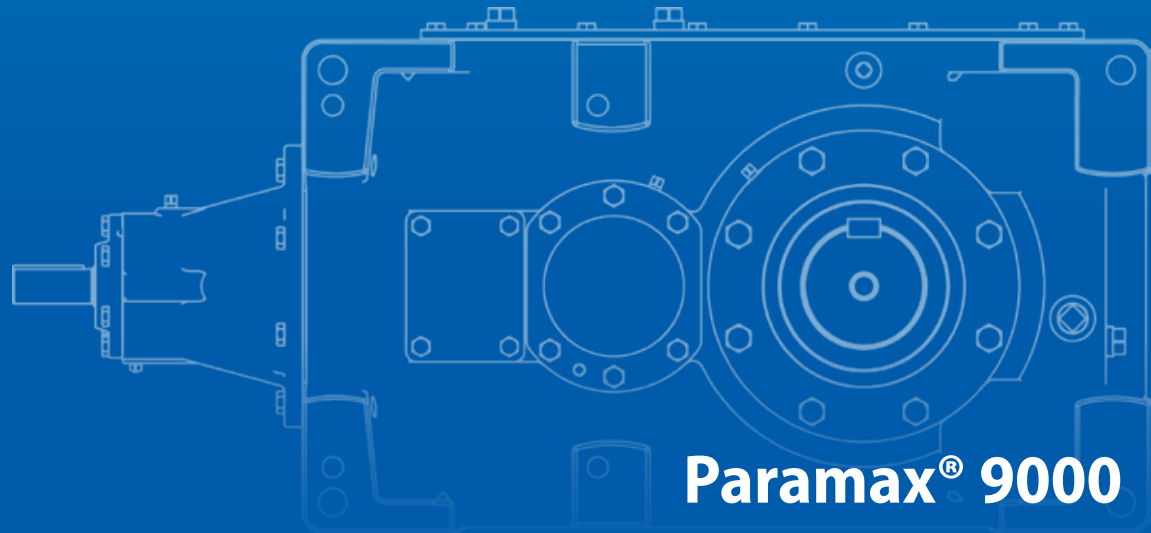


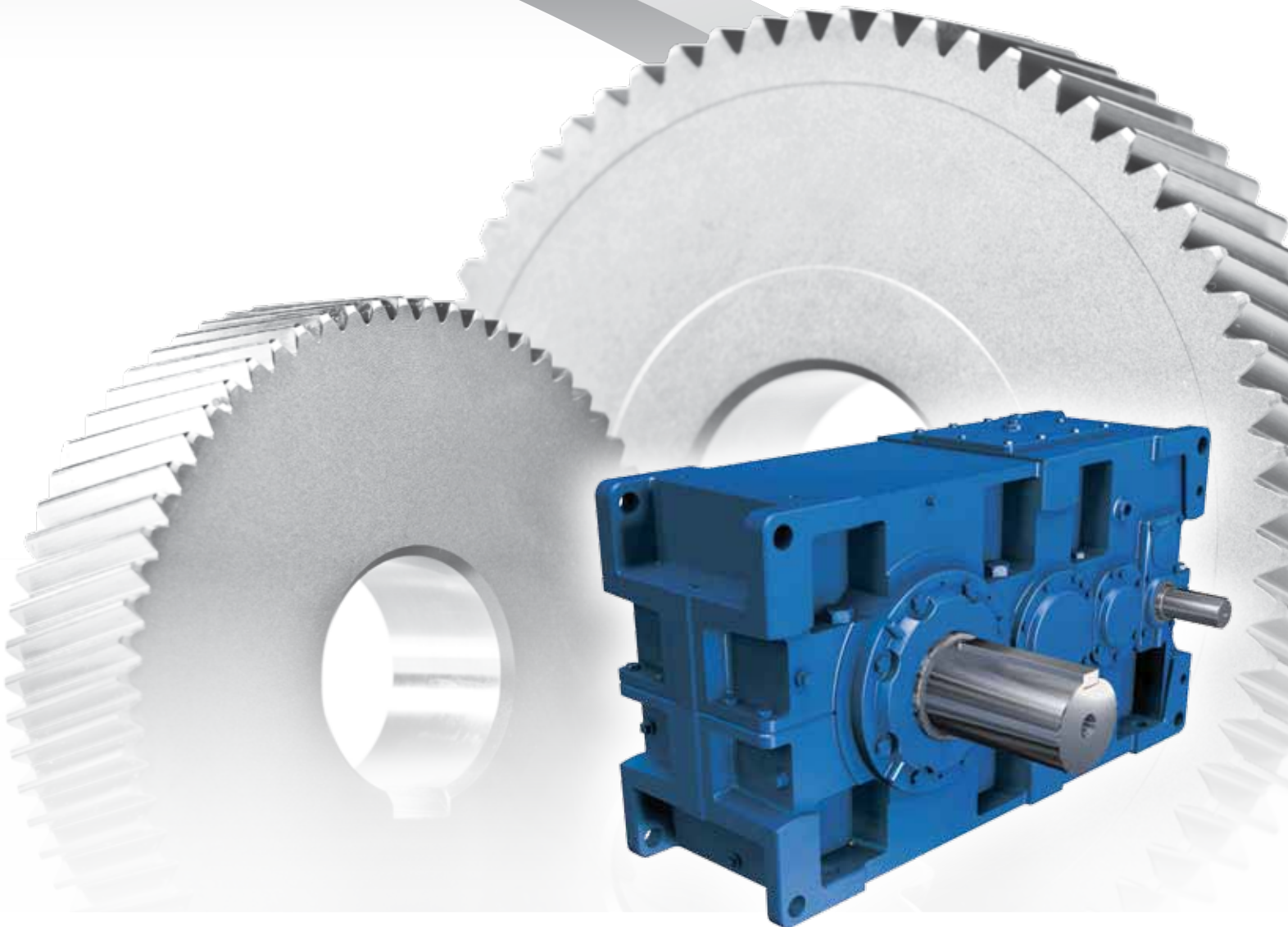
Sumitomo Drive Technologies
Always on the Move



Paramax® 9000

Parallel and Right Angle Large Industrial Gearboxes

9000 Series



Paramax® 9000 Series

Parallel and Right Angle Large Industrial Gearboxes

Paramax® 9000 industrial gearboxes offer *premier performance* in a powerful and rugged universal housing design.

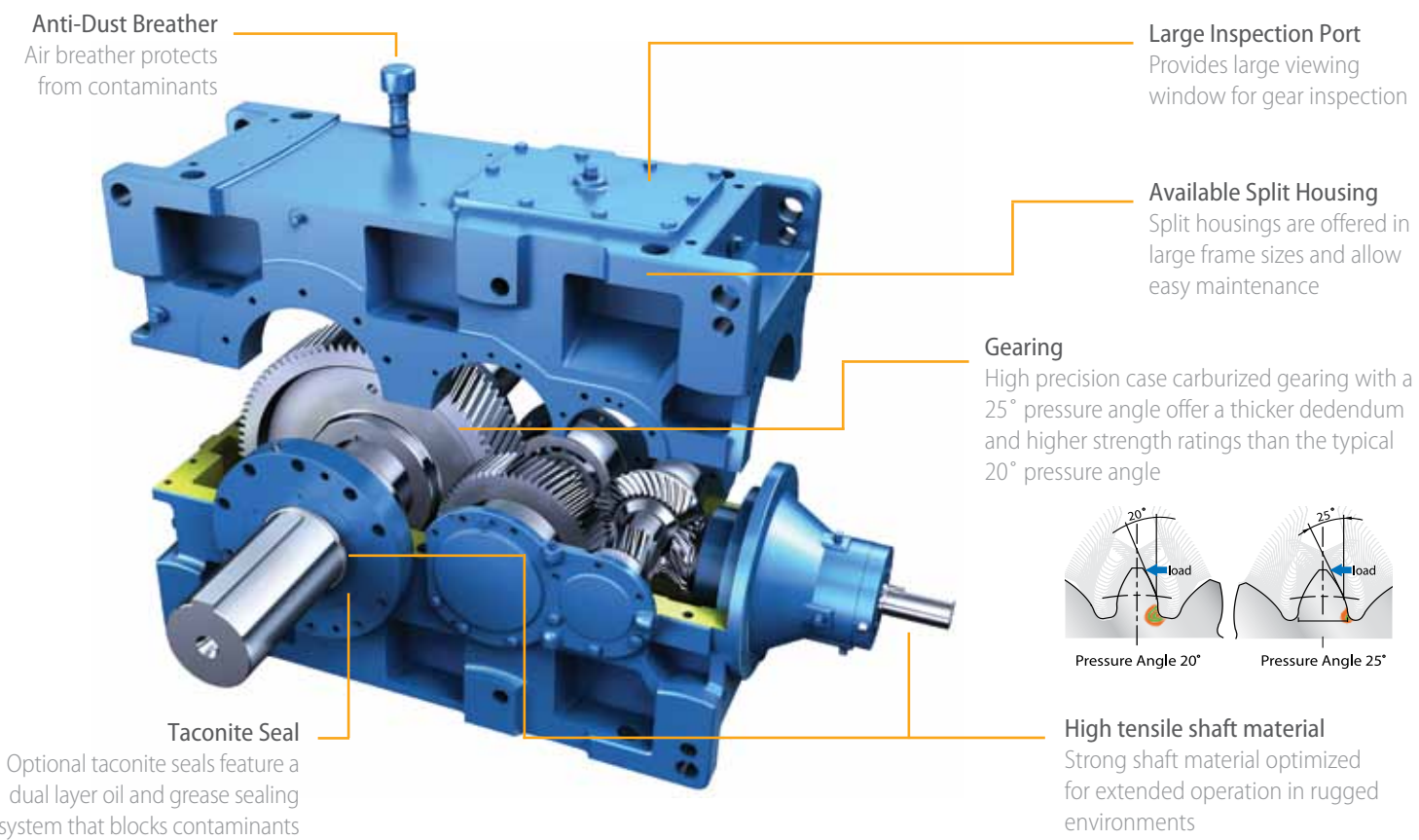
Paramax® parallel and right angle drives are built on seven decades of Sumitomo excellence in power transmission engineering. Some of **the largest, and most durable power transmission systems operating in the world** were designed and manufactured by Sumitomo. The Paramax® product line features double, triple and quadruple reduction gearboxes, global standardization, availability and support from Sumitomo worldwide locations.

Paramax® 9000 Series Features

- ▶ **26 Housing Sizes**
Offer more precise unit selection and optimized applications
- ▶ **High Torque Ratings**
High ratings of up to 552,000 N·m due to 25° pressure angle and wide gear tooth face
- ▶ **Universal Housings**
Accommodate horizontal, vertical and upright installations
- ▶ **Fan and Shroud Design**
Delivers up to 87% increased thermal capacity, cooler operation and longer service life vs. previous generation
- ▶ **Strong Housing Material**
Standard gray cast iron with ductile and fabricated steel options for added durability and strength

Specifications Summary

Torque Range:	552,000 N·m
Ratios:	6.3:1 to 500:1 standard
Housing Material:	Cast Iron (<i>standard</i>) Ductile or Fabricated Steel (<i>optional</i>)
Universal Housing:	Horizontal, Vertical or Upright Mounting



Mounting Base Options

Engineered steel baseplates, swingbases and transition plates are available as part of the complete drive systems solutions offered for the Paramax® 9000.



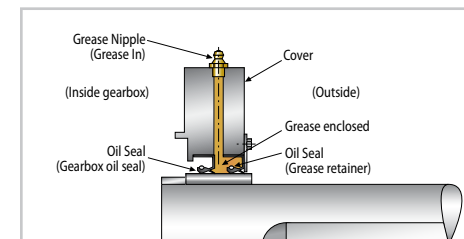
Swingbase for shaft-mounted units



Baseplate for base-mounted units

Optional Accessories

- ▶ **Heavy Duty Anti-Dust Breather**
- ▶ **Taconite, Labyrinth and FKM Seals**
- ▶ **Integral Backstop**
- ▶ **Cooling Fan with Split Fan Hood**
- ▶ **Shaft Safety Cover**
- ▶ **Immersion Oil Heater**
- ▶ **Drain Valve, Magnetic Drain Plug**
- ▶ **Resistance Temperature Detector**
- ▶ **Input and Output Coupling Guards**
- ▶ **Cooling Systems**
- ▶ **Heavy Duty Bearings**



Optional heavy duty anti-dust breather (top) and taconite seals (above) provide maximum protection from environmental contaminants.

Shaft Options



Solid Shaft



Shrink Disc



Keyed Hollow Bore

Paramax® 9000 Series Frame Size Details

Frame Size*	RATING		OUTPUT SHAFT DIAMETER		
	Max Torque N·m	Solid Shaft mm	Keyed Hollow Bore mm	Shrink Disc mm	
9015	2.6	58	55	60	
9025	4.2	70	65	70	
9030	6.4	80	75	80	
9035	8.5	90	85	85	
9040	10.1	95	90	95	
9045	13.2	105	105	105	
▶ 9050	15.3	110	105	105	
▶ 9055	19.9	120	115	120	
▶ 9060	24.4	125	123	125	
▶ 9065	31.4	140	143	140	
▶ 9070	38.2	145	143	145	
▶ 9075	47.8	160	148	155	
▶ 9080	58.5	165	163	170	
▶ 9085	73.1	175	173	180	
9090	85.9	180	–	190	
9095	101	190	–	200	
9100	122	200	–	210	
9105	144	220	–	220	
9110	174	220	–	240	
9115	207	240	–	250	
9118	260	260	–	–	
9121	301	280	–	–	
9126	351	300	–	–	
9128	420	320	–	–	
9131	473	340	–	–	
9136	552	360	–	–	

* Monoblock housing standard for 9015 to 9055; Split housing standard for 9060 to 9136

▶ Paramax® Quick Ship Program



For standard models 9050-9085, ratios 18:1 through 63:1, the Paramax Quick Ship Program offers US customers a five-day guaranteed factory shipment (after receipt of order) for a flat fee.

▶ Conditions:

Standard Product only (with or without fan).

Accessories will be considered on a case-by-case basis.

Unit will be painted and non-returnable.

Customer Service will verify availability of parts and quality inquiry as a Quick Ship candidate.

▶ The Sumitomo Promise:

If we do not fulfill our promise, we will continue to expedite, waive Quick Ship Program charges, and Sumitomo will pay standard freight.



Inching Drive Option

The Paramax® 9000 offers an optional auxiliary inching drive that is designed to handle full loading capacity.

Mounted to the reducer and coupled by an over-running clutch, the inching drive allows the conveyor to run loaded at reduced operating speeds for inspection and maintenance. Conveyors in harsh, cold climates can also benefit by utilizing an inching drive to keep the belt pliable and prevent system damage.

Long Life and High Shock Load Capacity

Sumitomo's inching drive combines the ruggedness of Paramax® with the proven quality and reliability of an inline Cyclo® 6000 series or a right angle Cyclo® Bevel BuddyBox®.

Inching Drive Selected to Handle Full Load Capacity

The Inching Drive is connected to the main Paramax® reducer through a maintenance-free over-running clutch, ensuring optimal power and performance.



Paramax® 9000 Series Applications

Agitators and Mixers
Cement Kilns
Cranes and Hoists
Wastewater Treatment
Mining

Forestry, Pulp and Paper
Sugar Processing
Material Handling
Steel
Pumps



Paramax[®] 9000 series

www.smcylo.com/paramax9000

Product Configurator: www.sumitomodrive.com/Configurator

Trying to select a drive? Need more technical specifications? Need pricing?

Sumitomo Drive Technologies' online product Configurator streamlines the selection process, enabling you to build our power transmission products for your specific application.

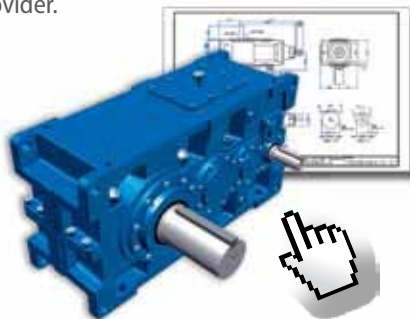


Available 24 hours a day, 7 days a week, registered users quickly receive results that include:

- Downloadable 2D and 3D CAD files
- Product Literature
- Technical Specification Sheet
- Product Ratings
- Request for Quote*
- Quotations*

This unique interactive tool is one more reason Sumitomo Drive Technologies is the world's premier power transmission and control solutions provider.

**Not available for all markets*



Download standard Paramax[®] CAD models today at
www.sumitomodrive.com/Configurator

Sumitomo Americas

Sumitomo Machinery Corporation of America (SMA) is a subsidiary of Sumitomo Heavy Industries (SHI), the global leader in power transmission knowledge and innovation.

SMA began its operations in 1966 with a work force of ten people and an assembly facility of 5,000 ft² (465 m²). Today, our corporate headquarters in Chesapeake, VA (USA), combined with our strategic satellite locations throughout North, Central and South America occupy more than 500,000 ft² (46,500 m²) of office and manufacturing space. We ship thousands of drive products every month, adding to our North and South American installed base of more than five million units. SMA is committed to providing **Quality at Every Stage.**

USA - Headquarters & Manufacturing

4200 Holland Boulevard
Chesapeake VA 23323
Tel: 1-757-485-3355

 Sumitomo Machinery Corporation of America
www.sumitomodrive.com

For facilities located in the Americas, please visit www.smcylo.com/locations
For worldwide locations, please visit www.smcylo.com/worldwide
Tel: 1-800-SM-CYCLO